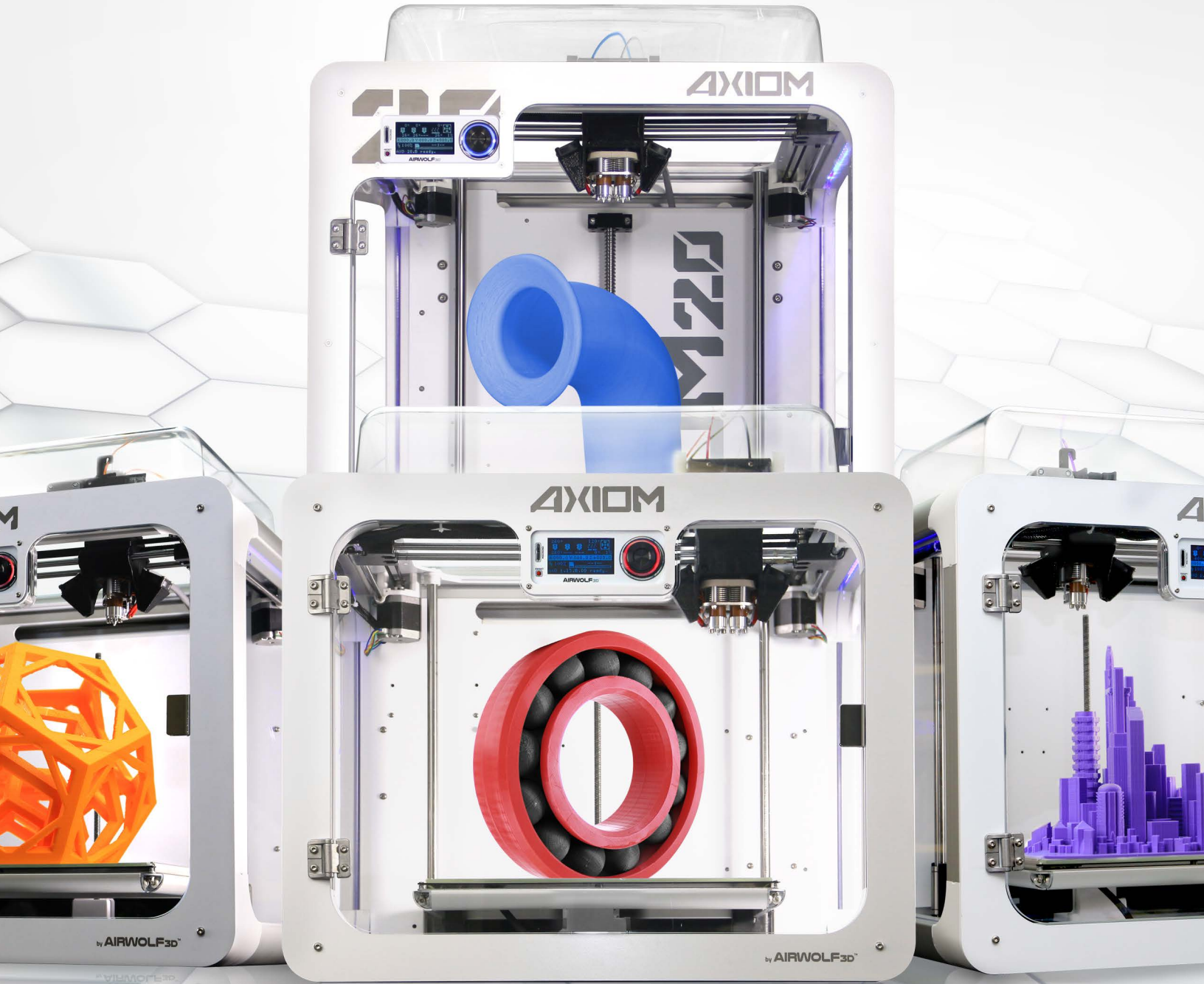


AXIOM[®]

SERIES

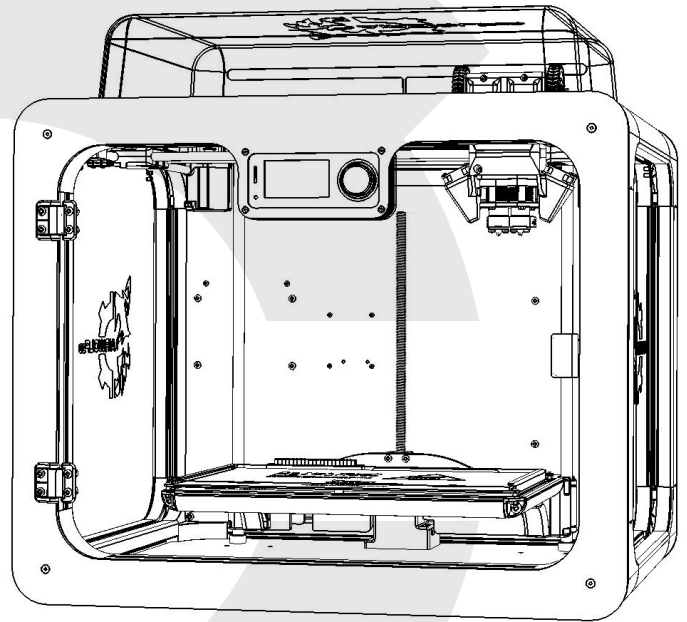


Presenting The **AXIOM**[®] Lineup

As the first and only **desktop 3D printer** in its price class to integrate an innovative set of high-performance features, the **AXIOM** dominates the sub **\$10,000** market between small **hobbyist machines** and significantly more expensive **industrial** desktop 3D printers.

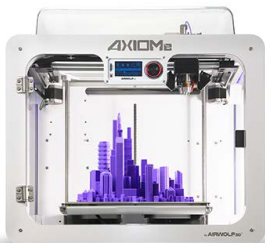
These Features Include:

- Patented, **fully enclosed** build chamber
- Large **1,000-cubic-inch** print envelope
- Proprietary **jam-resistant** hot end
- **Auto-leveling** makes printers precise and easy to use
- Up to two independently controllable, **high temperature nozzles** for **dual printing**
- Ability to print in **over 40 materials**, including traditionally difficult-to-print **flexible materials** and high-temperature industrial-grade **polycarbonate** and **polypropylene**¹
- **Modular construction** allows easy service and upgrades



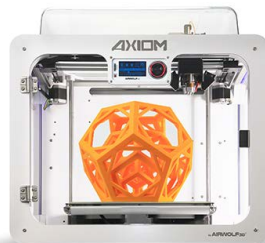
Additional Differentiators:

- Designed and assembled in **California, USA**
- **Airwolf 3D** is a minority-owned, woman-owned small business
- **"White Glove"** Service by expert service technicians
- Named **"Best 3D Printer of 2016"** by TopTenReviews.com



AXIOMe

\$3195



AXIOM

\$4195



AXIOM DUAL

\$5195



AXIOM 2.0

\$9995

¹Due to unheated bed, AXIOMe prints in only 10+ materials.

What Distinguishes the AXIOM[®] Line?

The only desktop 3D printer with a unique combination of features

High Temperature Printing up to 315°C

- Up to two, independently controllable high-temp nozzles for dual printing
- Print in industrial-grade polycarbonate and polypropylene
- Proprietary jam-resistant hot end resists clogging

APEX™ Slicing Software

- A more simple, intuitive way to 3D print
- Pre-loaded material profiles save time and hassle
- Fully configured and optimized for all Airwolf 3D printers

Direct Drive Extrusion System

- Print "difficult," flexible materials more easily
- Higher overall print quality with more room for error

Enclosed Housing

- Enclosed design for heat containment
- Creates a high temperature, controlled environment

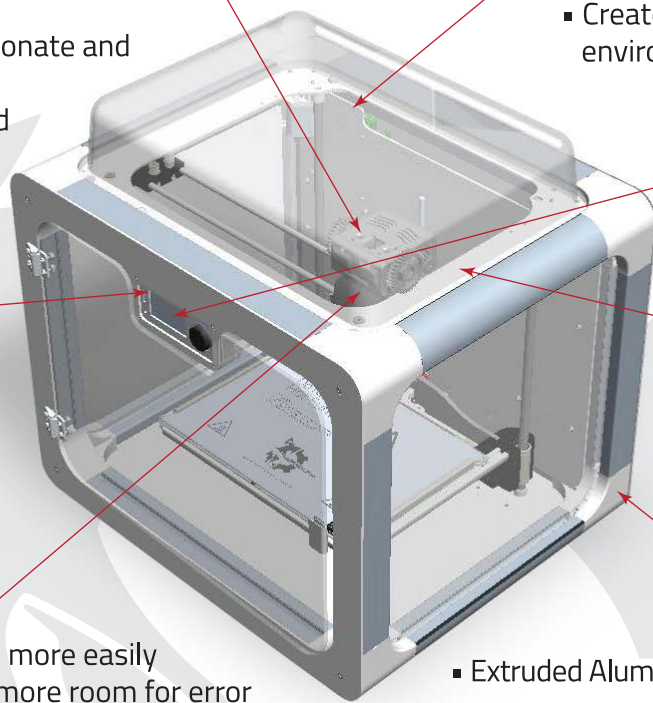
Wireless, Ethernet, USB, MicroSD

Modular Design

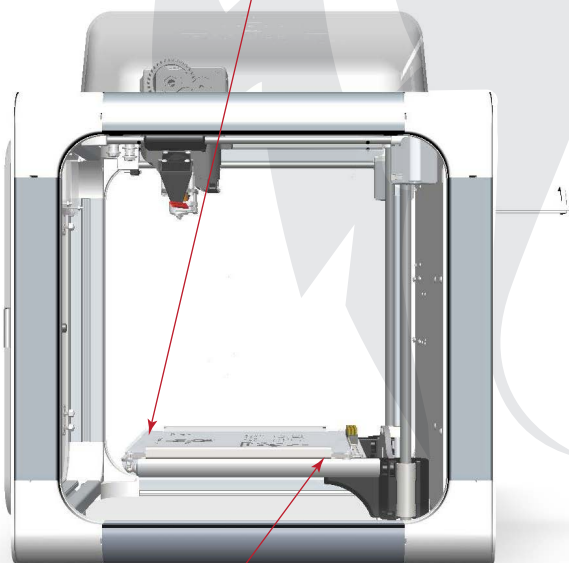
- Convenient End-User Replacement Cassette provides greater serviceability and upgradeability

Rugged Construction

- Extruded Aluminum and Injection-Molded Frame



Print Bed 'Slide-In' Locking System

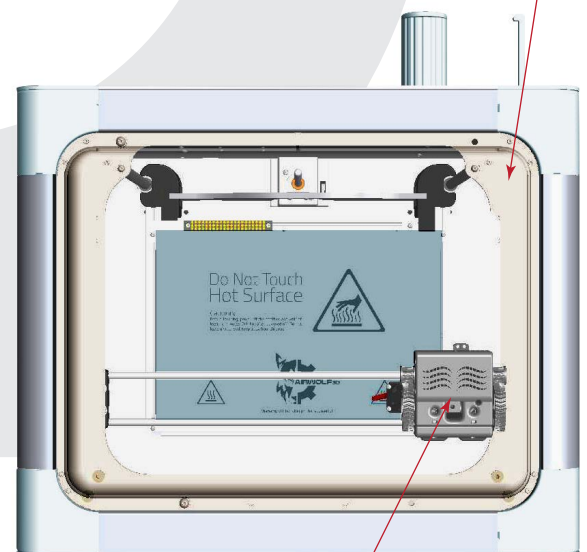


Auto Leveling

- Calibrates before every print
- Actively manages leveling during the print job

End-User Replaceable Cassette (ERC)

- End-User Replacement Cassette for serviceability and upgradeability

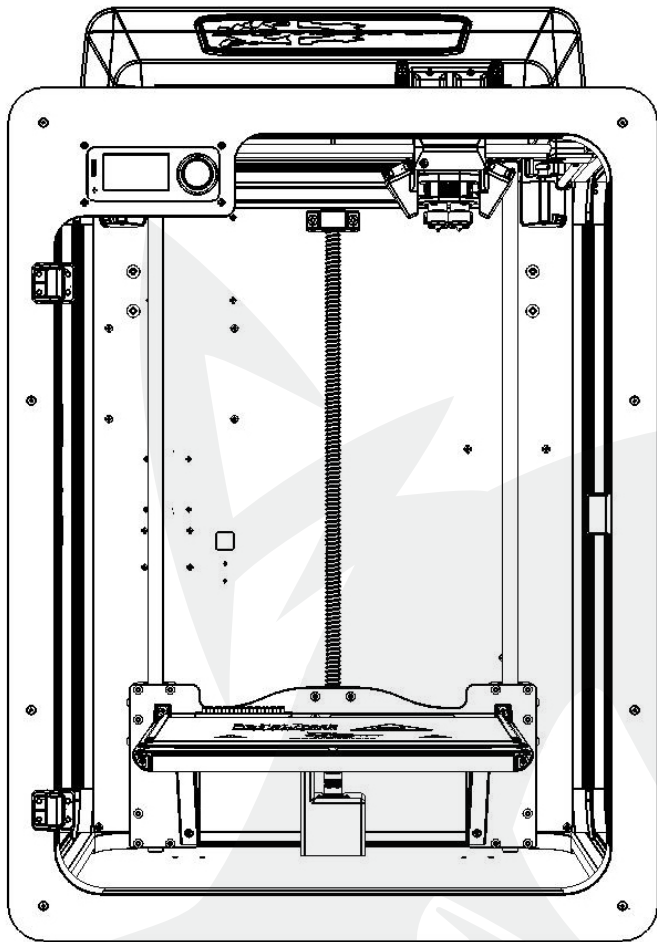


CORE XY Motion System

- Rapid and precise placement of the extruder
- Technology not seen on desktop 3D printers
- Durable belt-driven design

AXIOM[®] Features and Benefits

Benefit	Advantage	Technology / Feature	Comments
Wide Range of Materials	PLA/TPU to Nylons and Polycarbonates	Proprietary Airwolf 3D Hot End	Multiple Materials without Replacing the Hot End
		AXIOM Dual - Two Independently Thermal Hot Ends	Use of Two Different Materials in Same Print
		Enclosed Chamber with Heat Containment	Consistent, Higher Temperature Environment
		Heated Bed	Allows Use of High Temperature Materials
		APEX™	Preloaded Materials Settings, Optimized Slicing for Airwolf 3D Machines
High Resolution	Exceeds Products 3-4x More Expensive (Mojo / UPrint)	CoreXY Motion System	Precise Placement of Extruder
		Enclosed Chamber with Heat Containment	Consistent, Higher-Temperature Environment
		Auto-Leveling	Eliminates Errors of Manual Leveling
		40 Micron Layer Height	Finely Detailed Layers
		Multiple Nozzle Options (.8mm, .5mm, and .35mm)	Thin Walls and Details
		APEX™	Properly Sliced Print Files, Great for Break-Away Support
Ease of Use	Industry-Leading, User-Friendly Design	Auto-Leveling	No Manual Adjustment, Machine Does the Work
		APEX™	Slicing, Pre-Installed Material Settings, Device Management Customized for Airwolf 3D Machines
		'Easy-Feed' Filament System	Easy-to-Install Filament System
		Print Bed 'Slide-In' Locking System	Removes Hassle of Clip Systems
		End-User Replacement Cassette (ERC)	In the unlikely event of service, ERC can be removed by end-user for quick field replacement.
		VIKI	Front-Panel Control Easy to Use
		Wi-Fi, Ethernet, USB, Micro SD	Flexible Connectivity
Speed	Print Speed is 150% Faster than HD	CoreXY Motion System	Allows Faster Movement than Gantry Systems
Rugged Design	Long Life and Durability	Extruded Aluminum	High-Strength Components
		Injection-Molded Polycarbonate	High-Strength Components
		Flex-Resistant Glass	Double-Sided Glass Plate is Stronger than Standard Borosilicate Glass and Prevents Flex During Long Prints
		CORE XY Motion System	Durable Belt Design
		Industrial-Grade Parts and Components	Long-Life Components
Modular	Easy to Upgrade and Service	End-User Replacement Cassette (ERC)	ERC Can Be Removed by the End-User for Hassle-Free Upgrades to the Latest Technology



What's New in the **AXIOM[®]20**

Taller and Tougher for
Industrial Applications

Extra-Large Build Envelope

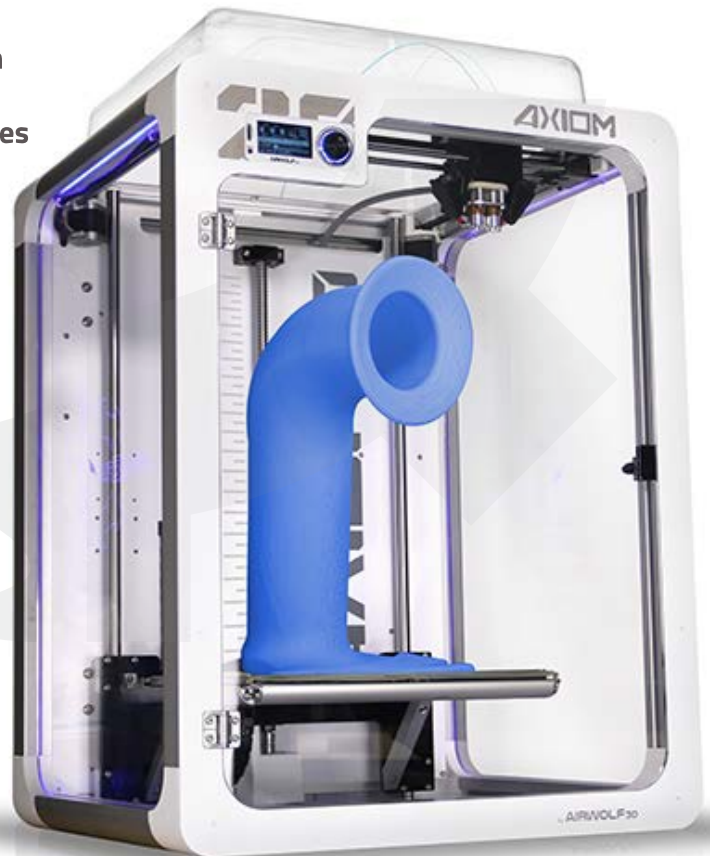
- Towering **20" Z-axis** makes **AXIOM 20** the **tallest** in its price class
- Huge **12.5" x 12" x 20"** build chamber for **prototypes** and **production-grade parts**

Industrial Ball Screw Construction

- Superior **accuracy** and **extreme precision**
- High **repeatability** with **zero backlash**

Ruggedized Construction

- **Steel** and **aluminum-intensive** components
- Easily runs for **30-40+ hours** at a time



Comparison Chart

WHICH MODEL IS RIGHT FOR YOU?

FEATURES	AXIOM ₂	AXIOM	AXIOM ^{DUAL}	AXIOM _{2D}
MSRP	\$3195	\$4195	\$5195	\$9995
Extruder Configuration	Single	Single	Dual	Dual
Max Temp	260°C	315°C	315°C	315°C
Cool Fans	Tri-Fan	Tri-Fan	Quad-Fan	Quad-Fan
Interchangeable Nozzles	Yes (.35mm, .5mm, .8mm)	Yes (.35mm, .5mm, .8mm)	Yes (.35mm, .5mm, .8mm)	Yes (.35mm, .5mm, .8mm)
Heated Bed	✗	✓	✓	✓
Max. Bed Temp.	NA	145°C	145°C	145°C
Enclosed Print Chamber	Yes	Yes	Yes	Yes
Wolfbite® Bed Adhesive	Nano	Nano, Reg., Nitro, Mega, Ultra	Nano, Reg., Nitro, Mega, Ultra	Nano, Reg., Nitro, Mega, Ultra
Auto Leveling	✓	✓	✓	✓
Motion System	Core XY	Core XY	Core XY	Core XY
Cloud-Based Printing	✓	✓	✓	✓
LCD Screen	✓	✓	✓	✓
Connectivity	USB, Micro SD	Wi-Fi, Ethernet USB, Micro SD	Wi-Fi, Ethernet USB, Micro SD	Wi-Fi, Ethernet USB, Micro SD
Frame Construction	Aluminum/Polycarbonate	Aluminum/Polycarbonate	Aluminum/Polycarbonate	Aluminum/Steel
Build Volume	12.5" x 8" x 10"	12.5" x 8" x 10"	12" x 8" x 9.5"	12.5" x 12" x 20"
Layer Height (Recommended)	100 micron	100 micron	100 micron	200-350 micron
Minimum Layer Height	40 micron	40 micron	40 micron	40 micron
Print Speed	250 mm/sec	250 mm/sec	250 mm/sec	250 mm/sec
Travel Speed	400 mm/sec	400 mm/sec	400 mm/sec	400 mm/sec
Upgradeable	✓	✓	✓	✓
Warranty	12 Month, by Manufacturer	12 Month, by Manufacturer	12 Month, by Manufacturer	12 Month, by Manufacturer
PLA (All PLA based materials)	✓	✓	✓	✓
ABS	✗	✓	✓	✓
Nylon	✗	✓	✓	✓
Polycarbonate	✗	✓	✓	✓



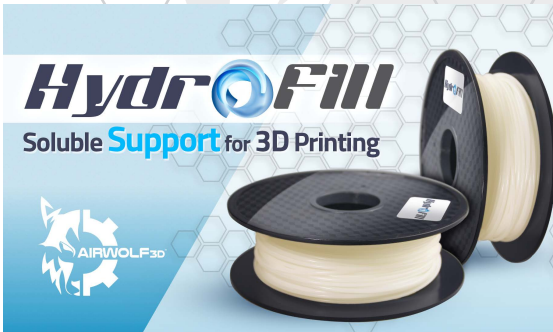
REPLACEMENT PARTS/ACCESSORIES

ORDER REPLACEMENT PARTS AND ACCESSORIES FROM www.AIRWOLF3D.com

From Wolfbite bed adhesion solutions to glass build plates, Airwolf 3D has you covered. Check out our bundle deals and save!



AXIOM FLEX-RESISTANT GLASS PLATE
Heavy duty Flex-Resistant Glass for AXIOM series 3D printers.



HYDROFILL WATER-SOLUBLE SUPPORT
The world's only filament that dissolves in plain water and is fully eco-friendly.



AXIOM ABS START-UP BUNDLE
Save money and get everything you need to print ABS on the AXIOM!



AXIOM ENGINEER START-UP BUNDLE
Save money and get everything you need to print with engineering materials on the AXIOM!



WOLFbite for ABS, PETG, TPE, and TPU.
Helps parts stick to the bed.



WOLFbite NANO for PLA.
Helps parts stick to the bed.



WOLFbite MEGA for Polycarbonate and PC/ABS.
Helps parts stick to the bed.



WOLFbite NITRO for Nylon.
Helps parts stick to the bed.



WOLFbite NITRO for Nylon.
Helps parts stick to the bed.

